

MODEL 41-105

SPECIFICATIONS

Model 41-105 B, Code 121 is a five (5) tube battery operated superheterodyne radio with electric push-button tuning and two tuning bands covering frequencies from 540 to 1720 K. C. and 6 to 12 M. C. In addition, other features of design included are: Philco low current drain tubes; automatic volume control; audio bass compensation in the volume control circuit; push-pull pentode audio output stage with screen phase inversion permanent magnet dynamic speaker and an OFF-ON power indicator.

INTERMEDIATE FREQUENCY: 455 K. C.

PHILCO TUBES USED: One 1A7G, converter; one 1N5G, I. F. amplifier; one 1H5G, second detector, first audio and two 1A5G, audio output.

PHILCO BATTERIES REQUIRED: One Philco "A"—"B" pack type P60D-11L.

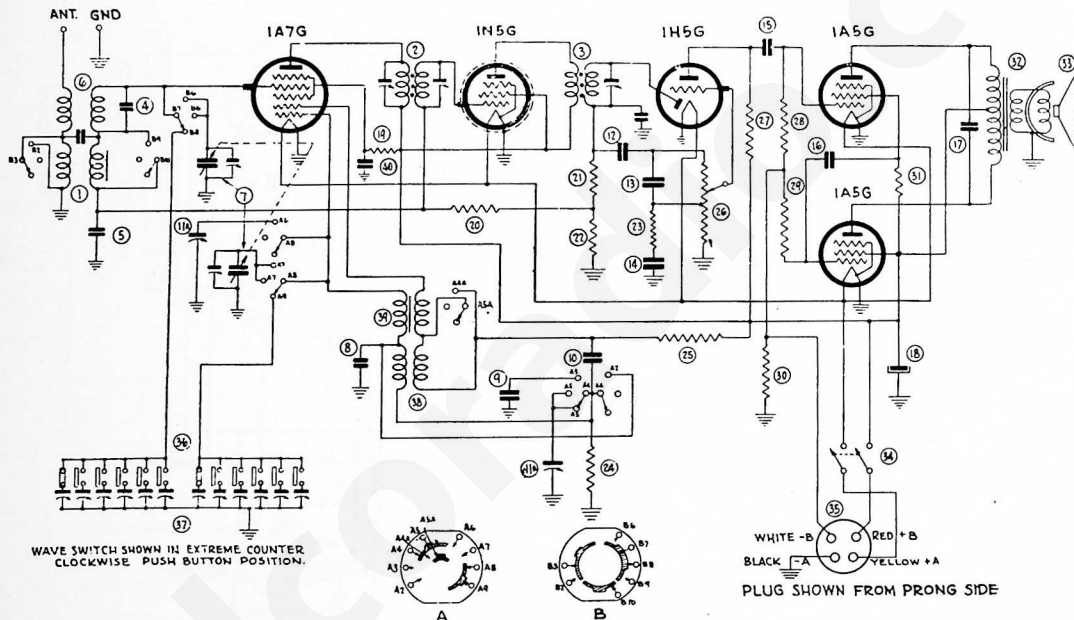
BATTERY CURRENT DRAIN: "A", 250 Ma.; "B", 10 Ma.

CABINET DIMENSIONS: Height 12½" Width 19" Depth 10½"

AERIAL AND GROUND: To obtain maximum operating performance from this model, the Philco Farm Radio Aerial, Part No. 40-6383 is recommended.

ALIGNING PROCEDURE will be found on page 48.

ELECTRIC PUSH-BUTTON TUNING: The radio is equipped with six electric tuning push-buttons for automatically selecting stations. The procedure for adjusting the push-buttons will be found on page 27.



SWITCHES SHOWN FROM REAR OF CHASSIS, BOTTOM VIEW IN POSITION. NEI (PUSH BUTTON) LETTERS INDICATE POSITION OF SWITCH WAFERS FROM REAR OF CHASSIS, BOTTOM VIEW. SHADED RING IS AT FRONT OF SWITCH WAFER. SOLID RING IS AT REAR OF SWITCH WAFER.

Replacement Parts — Model 41-105

SCHEM. No.	DESCRIPTION	PART No.	SCHEM. No.	DESCRIPTION	PART No.	SCHEM. No.	DESCRIPTION	PART No.
1.	Broadcast Antenna Transformer	32-3168	23.	Resistor (47,000 ohms, ¼ watt)	33-347154		Clip (R. F. Coil Mtg.)	28-5002
2.	1st I.F. Transformer	33-3198	24.	Resistor (250,000 ohms, ¼ watt)	33-422154		Dial	27-5650
3.	2nd I.F. Transformer	33-3199	25.	Resistor (10,000 ohms, ¼ watt)	33-310154		Pointer	56-1276
4.	Moulded Mica Condenser (130 mmf.)	60-113117	26.	Volume Control (2 meg., tap at 1 meg.)	33-5402		Drive Cord (Tuning Cond.)	31-2514
5.	Tubular Condenser (.05 mf., 200 v.)	30-4519	27.	Resistor (1 meg., ¼ watt)	33-510154		Spring	28-8913
6.	Short Wave Ant. Trans.	32-3471	28.	Resistor (2.2 meg., ¼ watt)	33-522154		Drive Cord (Indicator)	31-2504
7.	Tuning Condenser	31-2474	29.	Resistor (2.2 meg., ¼ watt)	33-522154		Spring	28-8945
8.	Moulded Mica Condenser (20 mmf.)	60-120127	30.	Resistor (500 ohms, ½ watt)	33-153226		Drive Cord (Pointer)	31-2524
9.	Moulded Mica Condenser (4500 mmf.)	60-245124	31.	Resistor (10,000 ohms, ¼ watt)	33-310154		Escutcheon (Push-buttons)	56-1455
10.	Moulded Mica Condenser (500 mmf.)	60-150157	32.	Output Transformer	32-8107		Screw	W-2072
11.	Dual Padding Condenser	31-6353	33.	Speaker	36-1507		Indicator	76-1050
12.	Tubular Condenser (.02 mf., 400 v.)	30-4516	34.	Off-On Switch	42-1581		Cam	38-9861
13.	Moulded Mica Condenser (250 mmf.)	60-125157	35.	Battery Cable	41-3505		Knob (Vol.—Tuning)	27-4332
14.	Tubular Condenser (1003 mf., 1000 v.)	30-4169	36.	Push-Button Switch	42-1580		Knob (Push-buttons)	27-4824
15.	Tubular Condenser (.01 mf., 400 v.)	30-4572	37.	Push-Button Condenser Strip	31-6354		Socket (Tubes)	27-6133
16.	Tubular Condenser (.01 mf., 400 v.)	30-4572	38.	Broadcast Osc. Transformer	32-3469		Speaker	36-1507
17.	Moulded Mica Condenser (730 mmf.)	60-173127	39.	Short Wave Osc. Transformer	32-3470		Screw (Chassis)	W-2030
18.	Electrolytic Condenser (10 mf., 150 v.)	30-2396	40.	Tubular Condenser (.25 mf., 100 v.)	61-0112		Tuning Drum (Condenser)	76-1176
19.	Resistor (68,000 ohms, ¼ watt)	33-308154					Tuning Shaft	31-2465
20.	Resistor (2.2 meg., ¼ watt)	33-522154					Tube Shield	56-1566
21.	Resistor (330,000 ohms, ¼ watt)	33-433154					Tube Shield Clip	56-1567
22.	Resistor (150,000 ohms, ¼ watt)	33-415154					Tab Kit	40-6593

MISCELLANEOUS PARTS
Cabinet 10485A